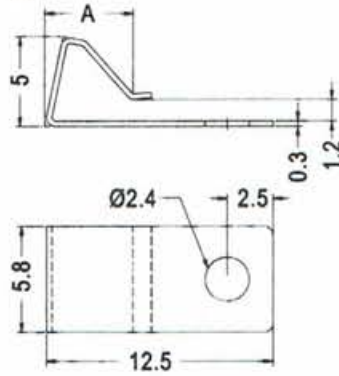
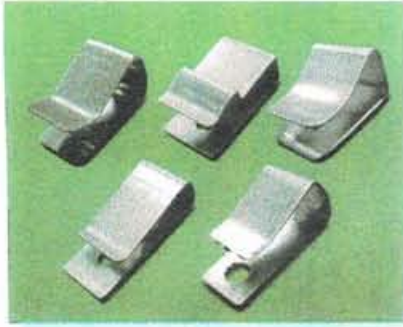


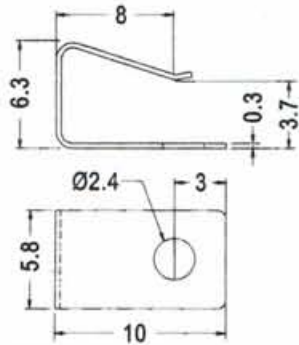
# LEISTUNGS - TRANSISTOR - KLAMMER

**NEW**

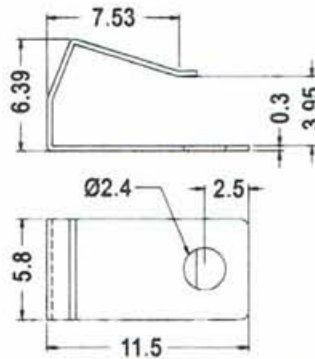
- ◆ Material: SUS 301
- ◆ Einheit: mm



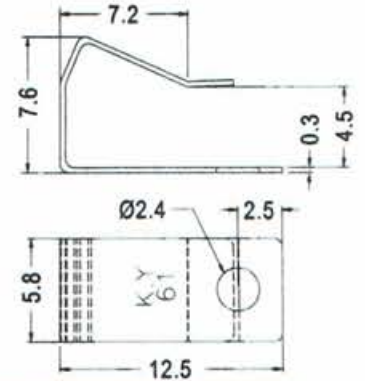
PART NO	A	PACKAGE
TRMC-24	3.65	1000
TRMC-23	4.85	



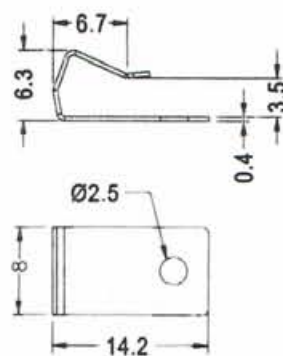
PART NO	PACKAGE
TRMC-20	1000



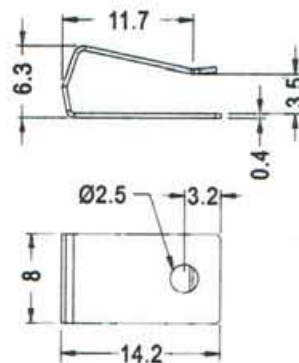
PART NO	PACKAGE
TRMC-26	1000



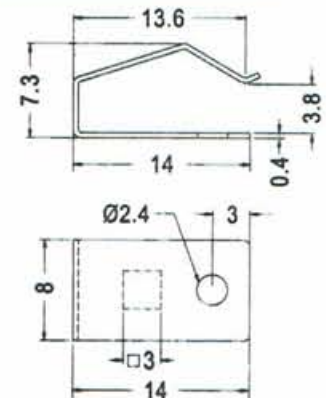
PART NO	PACKAGE
TRMC-61	1000



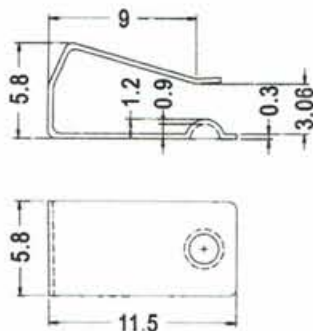
PART NO	PACKAGE
TRMC-59	1000



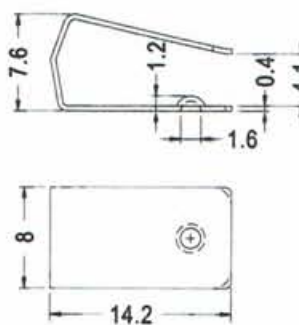
PART NO	PACKAGE
TRMC-40	1000



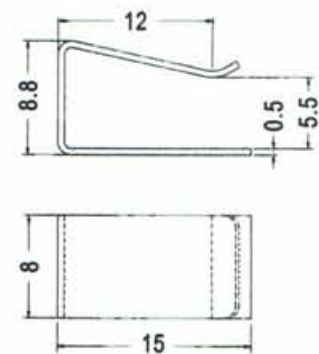
PART NO	PACKAGE
TRMC-34	1000



PART NO	PACKAGE
TRMC-49	1000



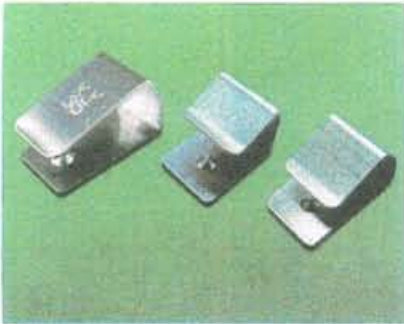
PART NO	PACKAGE
TRMC-35	1000



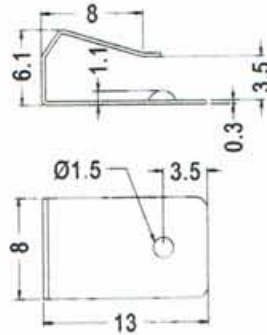
PART NO	PACKAGE
TRMC-7	1000

# LEISTUNGS – TRANSISTOR – KLAMMER

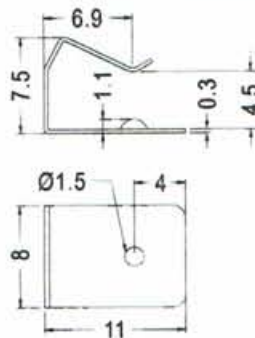
**NEW**



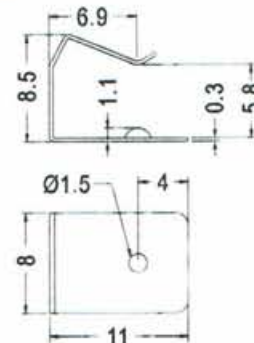
- ◆ Material: SUS 301
- ◆ Einheit: mm



PART NO	PACKAGE
TRMC-76	1000



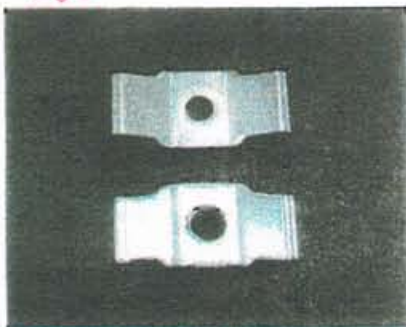
PART NO	PACKAGE
TRMC-77	1000



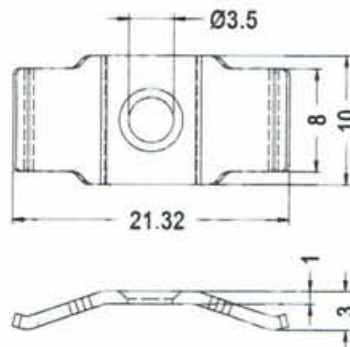
PART NO	PACKAGE
TRMC-78	1000

# LEISTUNGS – TRANSISTOR – KLAMMER

**NEW**



- ◆ Material: Verzinkt K5
- ◆ Einheit: mm



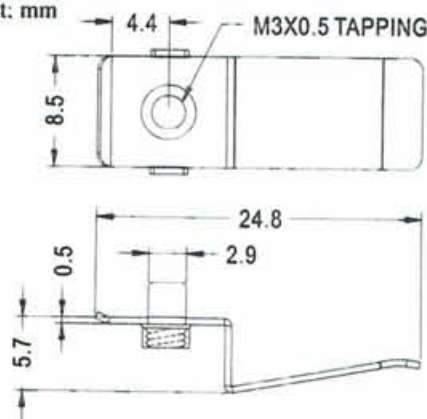
PART NO	PACKAGE
TRK-12	1000

# LEISTUNGS – TRANSISTOR – KLAMMER

**NEW**



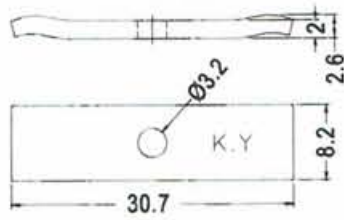
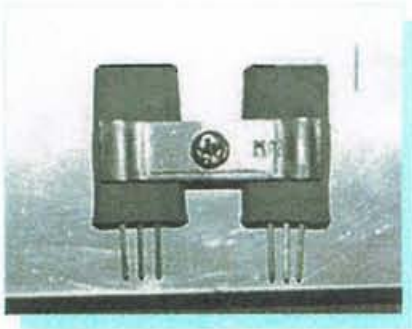
- ◆ Material: SUS 301
- ◆ Einheit: mm



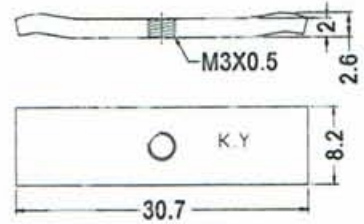
PART NO	PACKAGE
TRK-22	1000

## LEISTUNGS – TRANSISTOR – KLAMMER

- ◆ Material: Stahl
- ◆ Einheit: mm



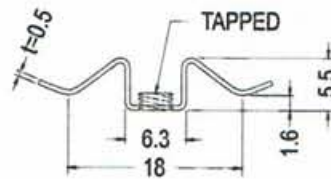
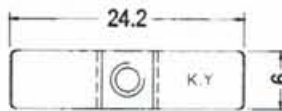
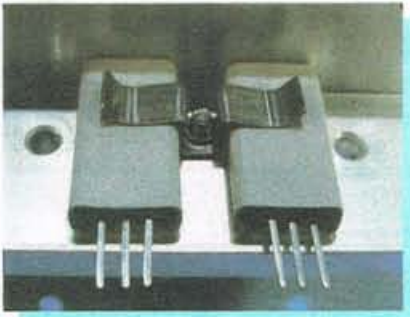
PART NO	PACKAGE
TRK-8	1000



PART NO	PACKAGE
TRK-9	500

## LEISTUNGS – TRANSISTOR – KLAMMER

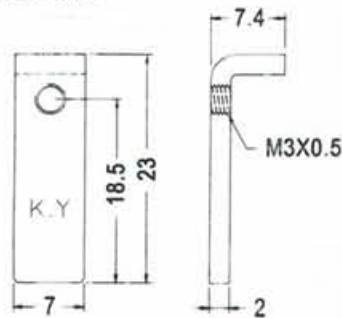
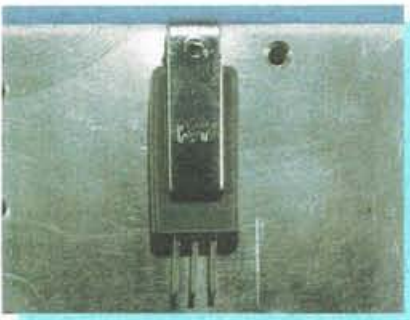
- ◆ Material: Stahl
- ◆ Einheit: mm



PART NO	TAPPED	PACKAGE
TRK-10	M3X0.5	1000
TRK-10(M4)	M4X0.8	
TRK-10(632)	6-32 UNC	

## LEISTUNGS – TRANSISTOR – KLAMMER

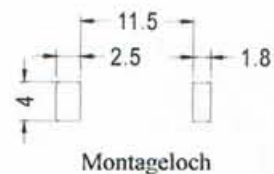
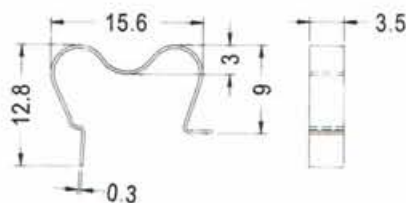
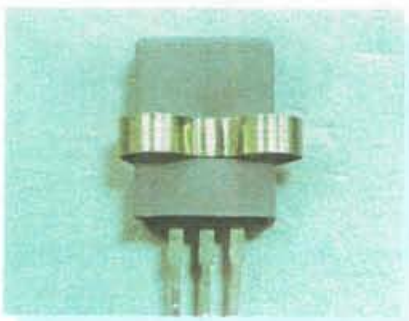
- ◆ Material: Verzinkt SPCC
- ◆ Einheit: mm



PART NO	PACKAGE
TRK-11	1000

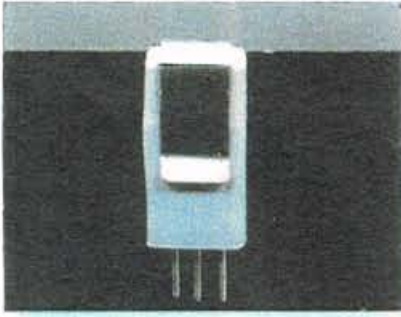
## LEISTUNGS – TRANSISTOR – KLAMMER

- ◆ Material: SUS 304
- ◆ Farbe: Silber
- ◆ Einheit: mm

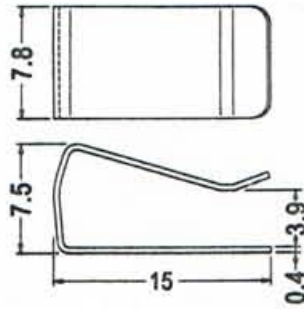


PART NO	PACKAGE
TO-220ST	1000

## TRANSISTORHALTER



- ◆ Material: SUS 301
- ◆ Einheit: mm

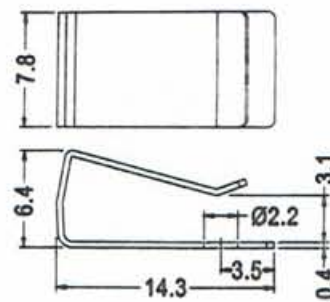


PART NO	PACKAGE
TRMC-1	1000

## TRANSISTORHALTER

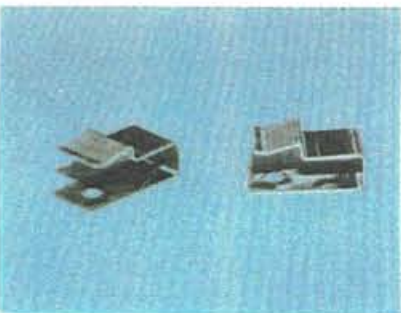


- ◆ Material: SUS 301
- ◆ Einheit: mm

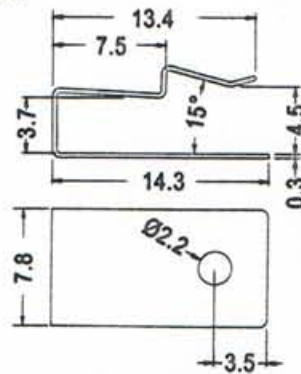


PART NO	PACKAGE
TRMC-2	1000

## TRANSISTORHALTER

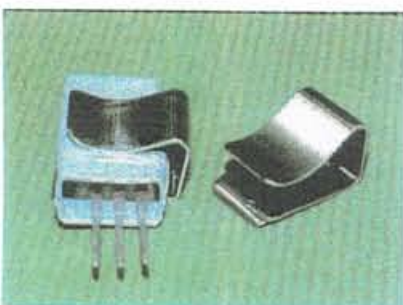


- ◆ Material: SUS 301
- ◆ Einheit: mm

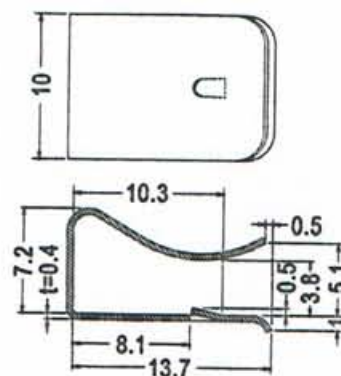


PART NO	PACKAGE
TRMC-5	1000

## TRANSISTORHALTER



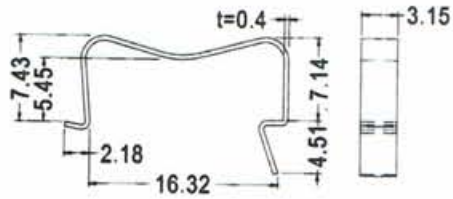
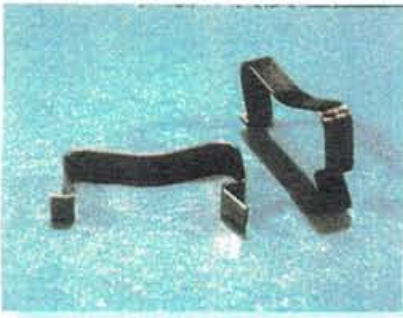
- ◆ Material: SUS 301
- ◆ Einheit: mm



PART NO	PACKAGE
TRMC-6	1000

# TRANSISTORHALTER

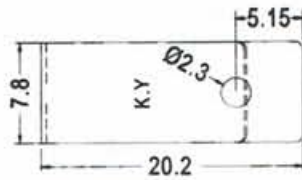
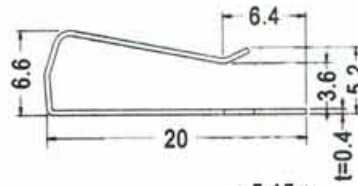
- ◆ Material: SUS 301
- ◆ Einheit: mm



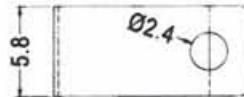
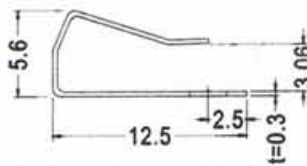
PART NO	PACKAGE
TRMC-8	1000

# TRANSISTORHALTER

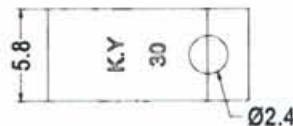
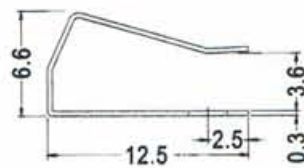
- ◆ Material: SUS 301
- ◆ Einheit: mm



PART NO	PACKAGE
TRMC-9	1000



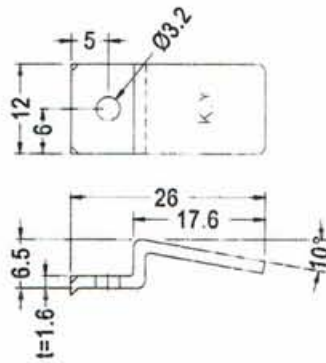
PART NO	PACKAGE
TRMC-17	1000



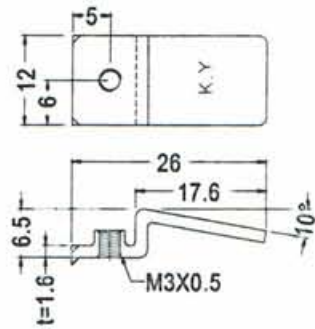
PART NO	PACKAGE
TRMC-30	1000

## LEISTUNGS – TRANSISTOR – KLAMMER

- ◆ Material: Stahl verzinkt
- ◆ Einheit: mm



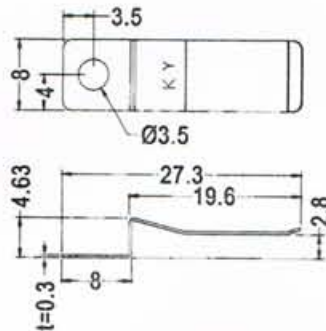
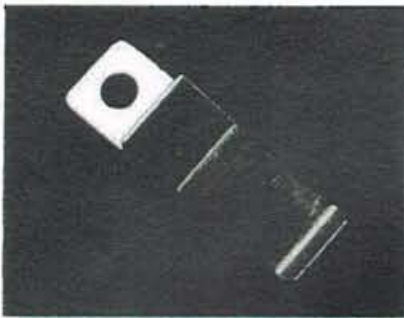
PART NO	PACKAGE
TRK-1	250



PART NO	PACKAGE
TRK-2	250

## LEISTUNGS – TRANSISTOR – KLAMMER

- ◆ Material: Stahl rostfrei-430
- ◆ Einheit: mm

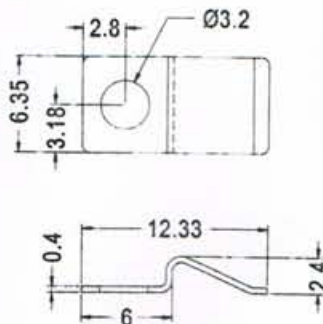
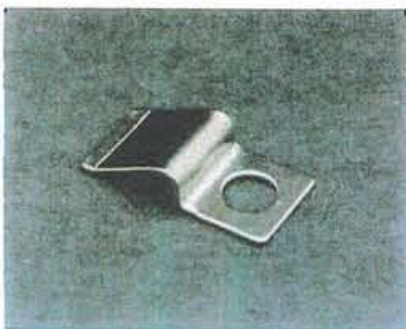


PART NO	PACKAGE
TRK-6	250

## LEISTUNGS – TRANSISTOR – KLAMMER

- ◆ Material: SUS
- ◆ Einheit: mm

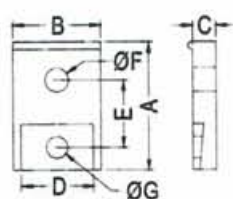
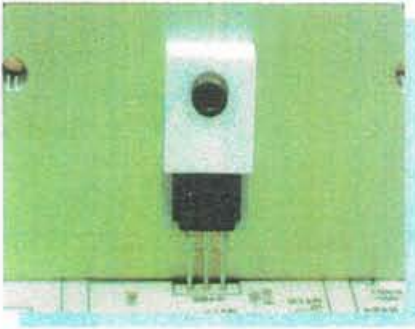
**NEW**



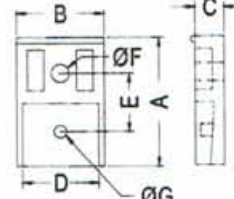
PART NO	PACKAGE
TRK-24	250

# TRANSISTORHALTER

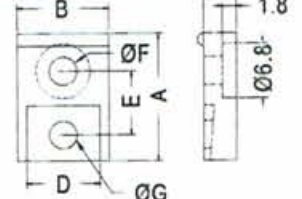
- ◆ MATERIAL: PBT (UL) / NYLON 66 (UL)
- ◆ FLAME CLASS : 94V-0/94V-2
- ◆ COLOR: NATURAL/BLACK
- ◆ UNIT: mm



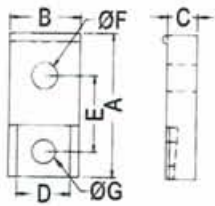
TC-1/TC-1A/TC-1C/TC-2/  
TC-16/TC-18/TC-19



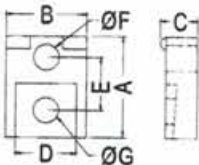
TC-3



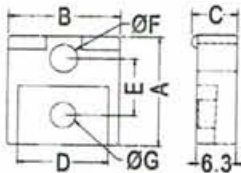
TC-4



TC-5A

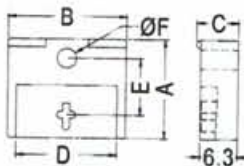


TC-6

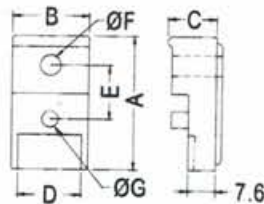


TC-7

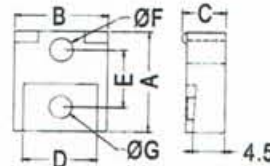
PART NO	A	B	C	D	E	F	G	通用晶體包裝	PACKAGE
TC-1	16.0	13.0	5.4	10.7	8.0	3.5	3.4	TO-220	500
TC-1A	19.3	13.0	5.4	10.7	10.0	3.6	3.4		
TC-1C	17.8	13.0	5.5	10.7	9.3	3.5	3.3		
TC-2	19.0	18.0	6.0	16.0	10.5	3.5	3.5	TO-218	200
TC-3	28.0	19.0	8.0	16.5	12.8	3.9	2.8	TO-3P	
TC-4	16.0	13.0	5.4	10.7	8.0	3.5	3.5	TO-220	1000
TC-5A	16.0	13.0	5.5	10.5	8.0	3.5	3.5		
TC-6	13.0	13.2	6.2	10.7	6.8	3.3	3.3		
TC-7	13.0	13.2	7.0	10.7	6.8	3.3	3.0		
TC-8	20.0	25.4	7.0	22.5	12.7	3.3		TO-220	500
TC-9	23.0	12.9	8.3	10.8	9.3	3.5	2.8		
TC-10	14.3	13.2	6.2	10.5	8.2	3.3	3.2		
TC-11	14.3	13.2	7.0	10.7	8.2	3.3	2.7	TO-220	200
TC-13	14.3	10.0	4.2		8.1	3.3	3.5		
TC-16	22.5	13.0	5.5	10.5	15.0	3.5	3.5	TO-220	500
TC-18	16.0	13.0	5.4	10.7	8.0	3.5	3.5		
TC-19	30.0	18.0	6.0	15.7	17.0	3.6	2.8	TO-220	200
TC-20	17.7	12.1	5.6		10.0	3.8	3.5		
TC-22	13.0	13.2	6.7	10.7	7.1	3.3	2.8	TO-220	500
TC-23	19.1	15.2	6.1	12.0	11.8	3.5	3.6		



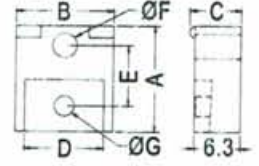
TC-8



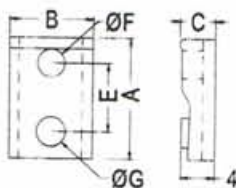
TC-9



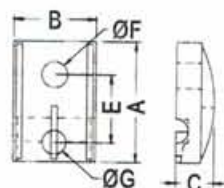
TC-10



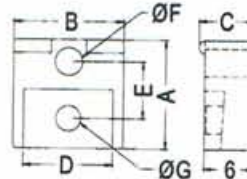
TC-11



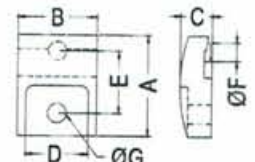
TC-13



TC-20



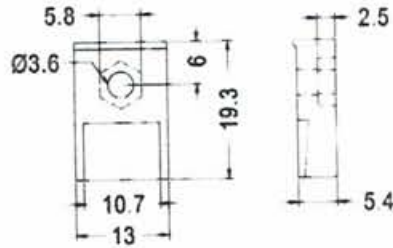
TC-22



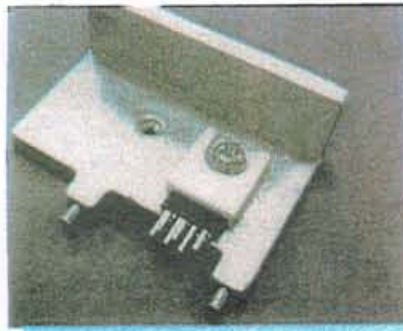
TC-23

# TRANSISTORHALTER

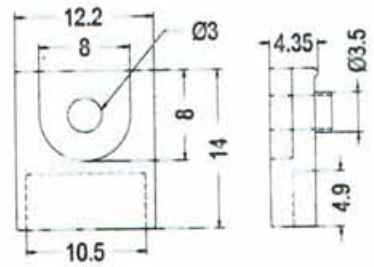
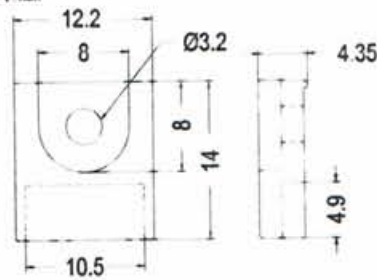
- ◆ MATERIAL: PBT (UL)
- ◆ FLAME CLASS: 94V-0
- ◆ COLOR: NATURAL
- ◆ UNIT: mm



PART NO.	PACKAGE
TC-21	1000



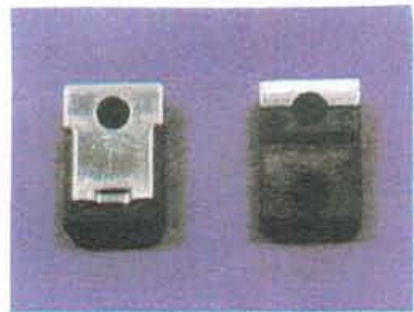
- ◆ MATERIAL: NYLON 66 (UL)
- ◆ FLAME CLASS: 94V-0/94V-2
- ◆ COLOR: NATURAL
- ◆ UNIT: mm



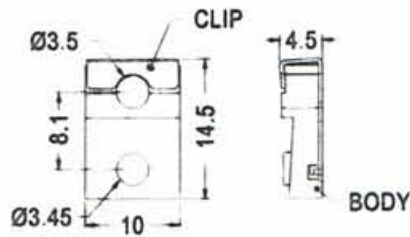
PART NO.	PACKAGE
TC-24	500

PART NO.	PACKAGE
TC-25	500

# TRANSISTORHALTER

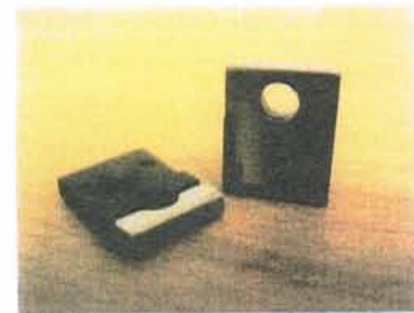


- ◆ BODY MATERIAL: NYLON 66 (UL) 94V-2
- ◆ CLIP MATERIAL: STAINLESS-430
- ◆ COLOR: BLACK
- ◆ UNIT: mm

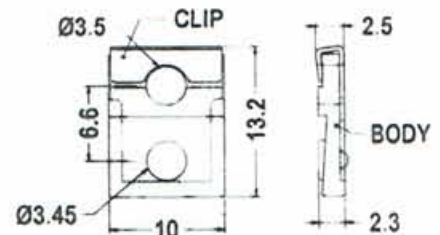
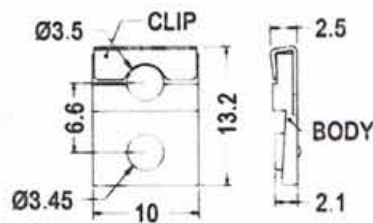


PART NO.	PACKAGE
TCSE-1	1000

# TRANSISTORHALTER



- ◆ BODY MATERIAL: PPS (UL) 94V-0
- ◆ CLIP MATERIAL: STAINLESS-301
- ◆ COLOR: BLACK
- ◆ UNIT: mm



PART NO.	PACKAGE
TCSE-2PPSF	1000

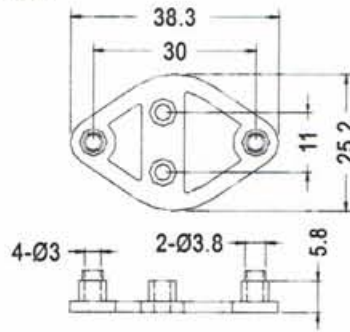
PART NO.	PACKAGE
TCSE-3PPSF	1000



## TO-3 TRANSISTOR – GEHÄUSE



- ◆ MATERIAL: NYLON 66 (UL)
- ◆ FLAME CLASS :94V-2
- ◆ COLOR:NATURAL
- ◆ UNIT:mm

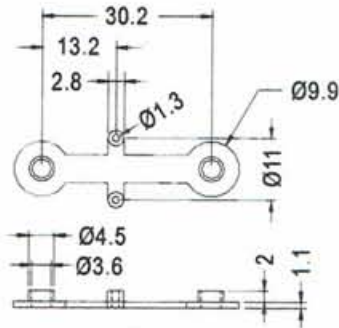


PART NO	PACKAGE
TR-4	500

## TO-3 TRANSISTOR – GEHÄUSE



- ◆ MATERIAL: NYLON 66 (UL)
- ◆ FLAME CLASS :94V-0/94V-2
- ◆ COLOR:NATURAL
- ◆ UNIT:mm

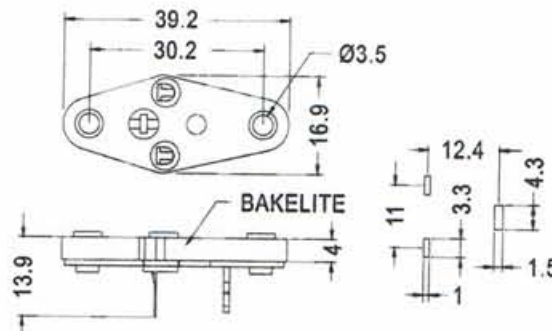


PART NO	PACKAGE
TR-6	1000

## TO-3 TRANSISTOR – GEHÄUSE



- ◆ MATERIAL: BAKELITE
- ◆ COLOR: BLACK
- ◆ UNIT: mm

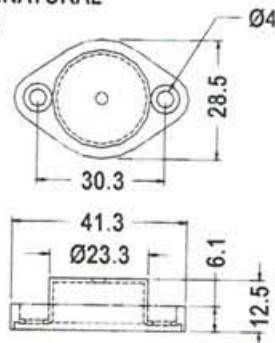


PART NO	PACKAGE
TR-3APF	1000

## TO-3 TRANSISTOR – KAPPE



- ◆ MATERIAL: NYLON 66 (UL)
- ◆ FLAME CLASS :94V-2
- ◆ COLOR:NATURAL
- ◆ UNIT:mm



PART NO	PACKAGE
TRC-1	200